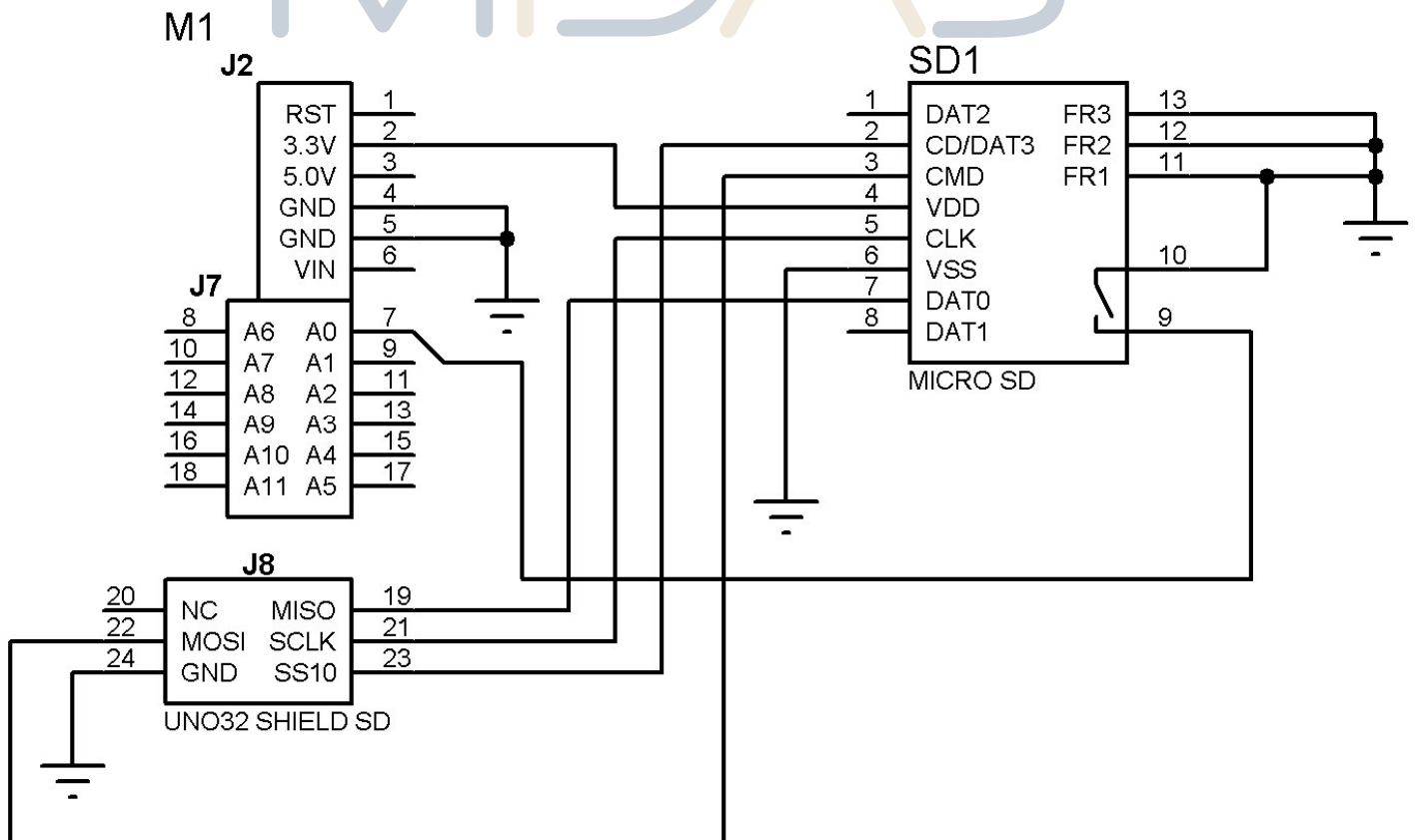


<b>Specification</b>	
Part Number:	UNO32-SD
Version:	2
Date:	30/03/2016
<b>Revision</b>	
<b>Date</b>	<b>Description of change</b>
26/01/2015	First Draft
30/03/2016	Mechanical Drawing

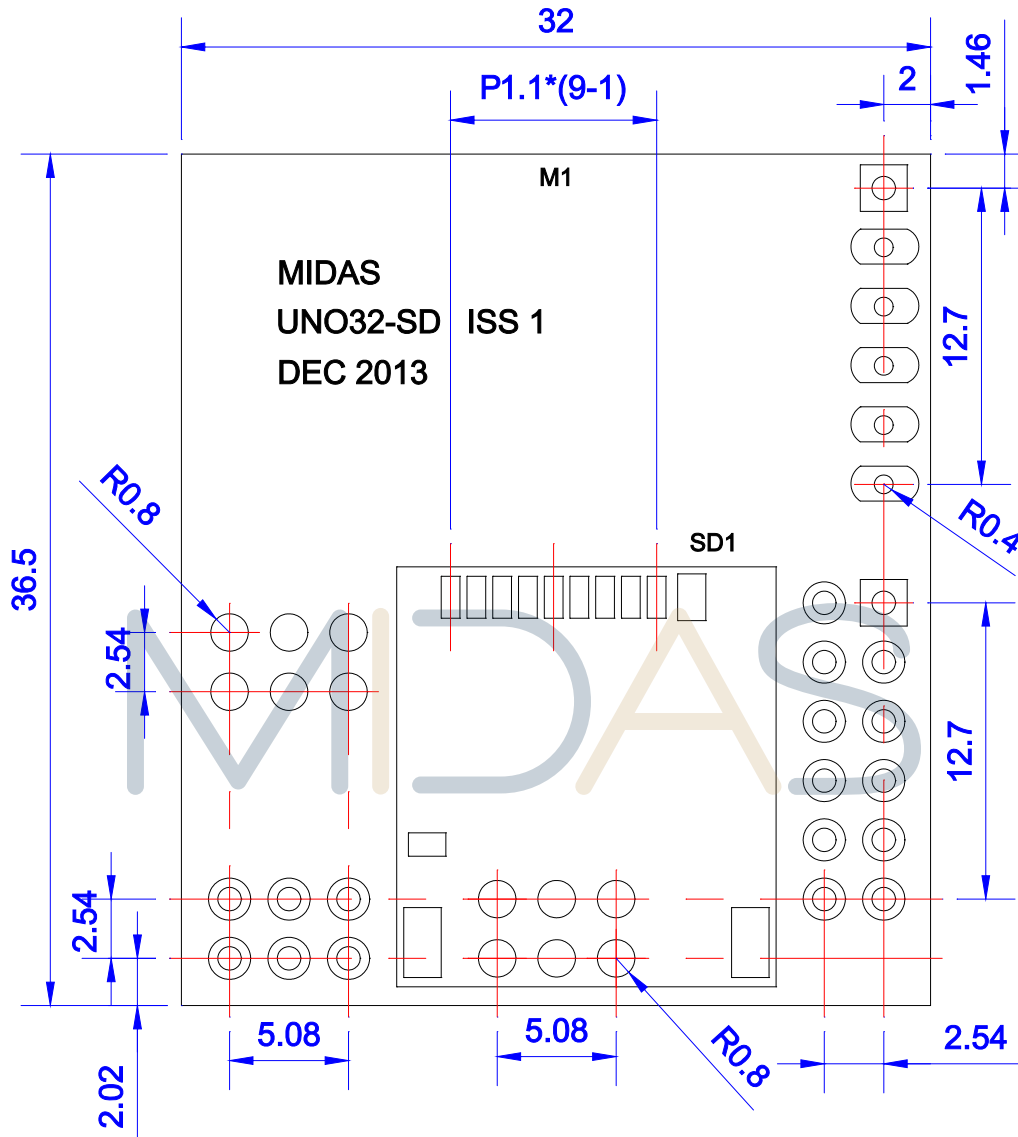


## UNO32-SD BOARD

SD Board attachment for UNO32 (use SD. begin (44)).



## Mechanical Drawing



**\*Note all measurements are in mm  
 and all holes are 0.5mm in radius  
 unless stated otherwise.**